

HAFNER

BAS-series Panel mounting valves



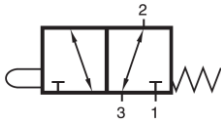
- Robust design
- IP 66
- Wide range of actuating elements

Optionally:

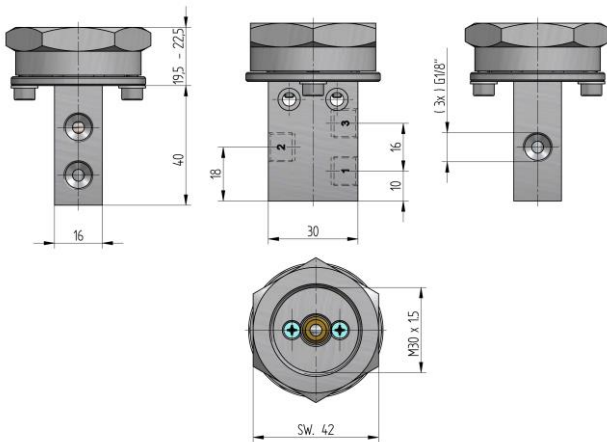
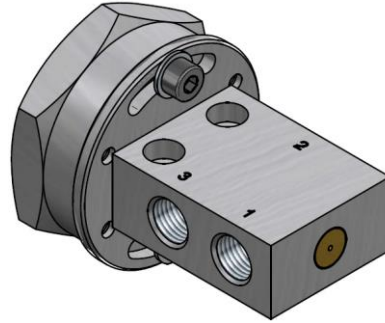
- -50°C to +65°C (+80°C)
- Explosion proof

30

YEARS
HAFNER



BAS 311 301



BAS 311 301

Series of manually actuated valves with mechanical spring return. For panel mounting and with port size G 1/8".

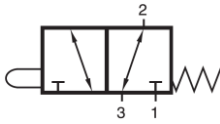
Valves and operators can be used for a temperature range from -20°C to +50°C.

Delivery content without manual operator. Please order the operators separately.

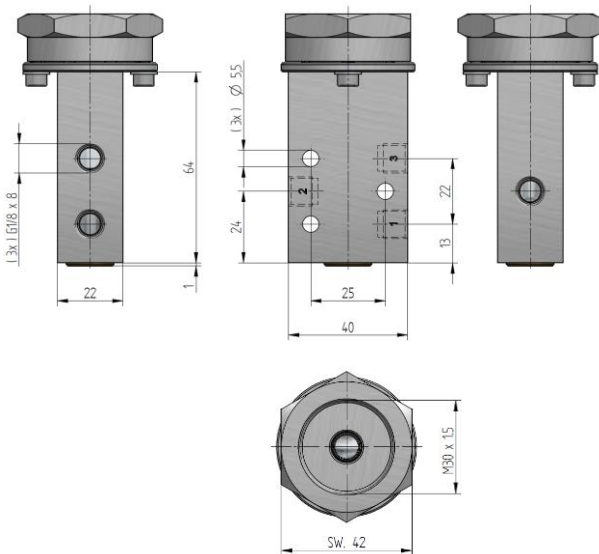
5/2-way version and valves based on series 401 (air-flow rate 450 l/min) available on request.

Type	Port size	Air flow	Operating press.	Actuating force	Weight
BAS311 301	G 1/8"	280 l/min	-0,9 - 10 bar	~ 14 N	0,08 kg

BAS 311 501 TT AIR Ex



BAS 311 501 TT AIR Ex



BAS 311 501 TT AIR Ex

Series of manually actuated valves with mechanical spring return. For panel mounting and with port size G 1/8". 5/2-way available on request.

Valves and operators can be used for a temperature range from -40°C to +65°C.

Explosion proof for ATEX zones 1, 2, 21, 22 gas and dust:

CE Ex II 2 G Ex h IIC T6 Gb
-40°C ≤ Ta ≤ +65°C

CE Ex II 2 D Ex h IIIC T80°C
Db -40°C ≤ Ta ≤ +65°C

Delivery content without manual operator. Please order the operators separately.

Type	Port size	Air flow	Operating press.	Actuating force	Weight
BAS311 501 TT AIR Ex	G 1/8"	650 l/min	1 - 10 bar	40 N	0,20 kg



Push button

BA 301 01 EX



Palm button

BA 302 02 EX



Palm button with detend

BA 303 02 EX



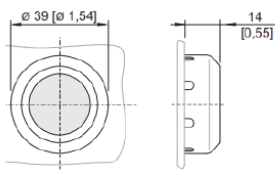
Locking switch

BA 305 01 EX

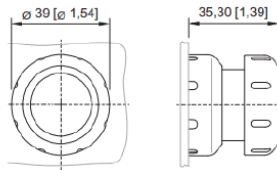


Rotary lever

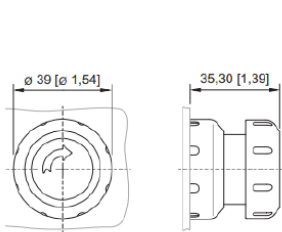
BA 307 01 EX



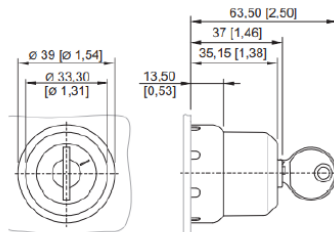
BA 301 01 EX



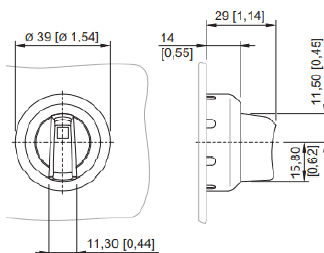
BA 302 01 EX



BA 303 02 EX



BA 305 00 EX



BA 307 01 EX

Actuating elements for panel mounting in extreme conditions. For 30 mm panel mounting hole.

- Torque for locking nut: 3 Nm
- Materials: Polyamide, seals silicon
- Temperature range: -60°C to +70°C
- Protection: IP 66

Elements can be used in explosion hazardous areas, certified according to ATEX for zone 1 and 21:

II 2 G Ex eb IIC Gb
 II 2 D Ex tb IIIC Db

Available on request:

- BA 301 01 TT EX and BA 222 02 TT EX with a wide variety of colors and different kind of markings (ON, OFF, STOP ...).
- BA 302 02 TT EX with 55 mm outer diameter
- BA 303 02 TT EX lockable and in black/black
- Elements in IP 68

Type	Actuation	Colour	Actuating force	Weight
BA 301 01 EX	Push button	black	8,5 N	0,034 kg
BA 302 02 EX	Palm button	red / yellow	8,5 N	0,05 kg
BA 303 02 EX	Palm button with detend	red / yellow	52 N	0,05 kg
BA 305 00 EX	Locking switch	black	1 Nm	0,05 kg
BA 307 01 EX	Rotary lever	black	1 Nm	0,04 kg