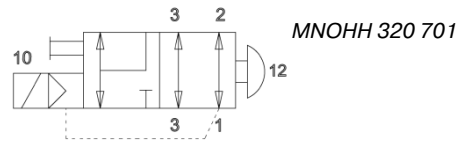
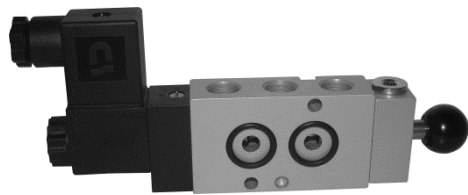


Valves with electrical switch-off function and manual reset.



The MNOHH 320 701 is a bistable valve, actuated from one side by solenoid, from the other side manually.

As long as there is no electric signal applied, the valve is open from 1 to 2 and port 3 can exhaust.

When an electric signal is applied to the solenoid, the valve moves to the closed position. The valve will stay in this position no matter if the electric signal cuts-off.

It can only be switched into the other position by manually pushing the knob.

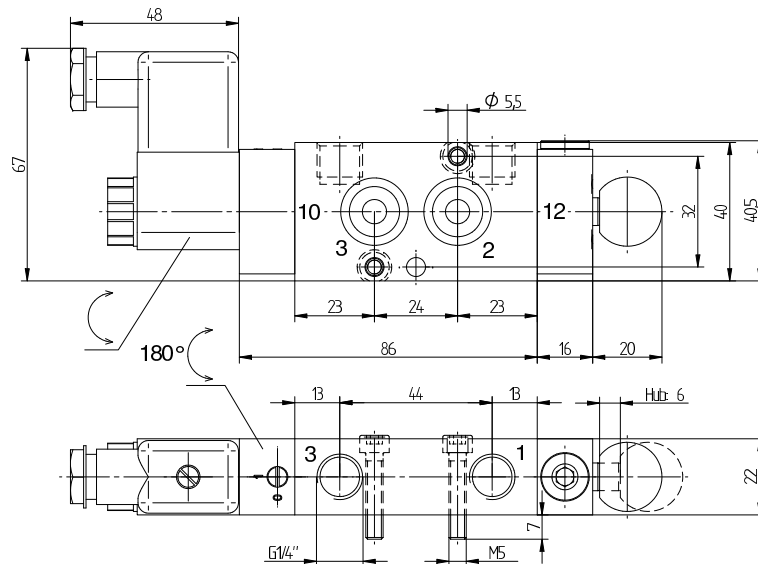
Typical application:

Valve is mounted on a single acting actuator.

Another 3/2-way control valve is connected to port 1 of the MNOHH 320 701.



In normal operation, no electric signal is applied to the solenoid and the actuator can be opened and closed by the 3/2-way control valve. When there is an emergency, an electric signal is applied to the solenoid and the valve moves to the closed position. The air supply to the actuator is now cut-off and the actuator will close by the force of the spring.

As a result the process valve stays in this position until maintenance personnel is present and resets the valve.



MNOHH 320 701

On request:

- Other functions
- ATEX-approved 
- Stainless steel version 

316