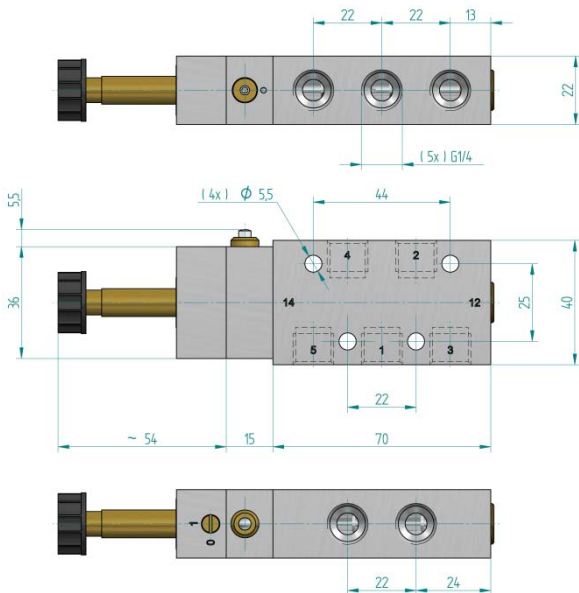
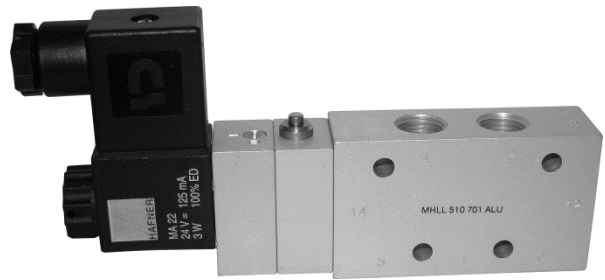
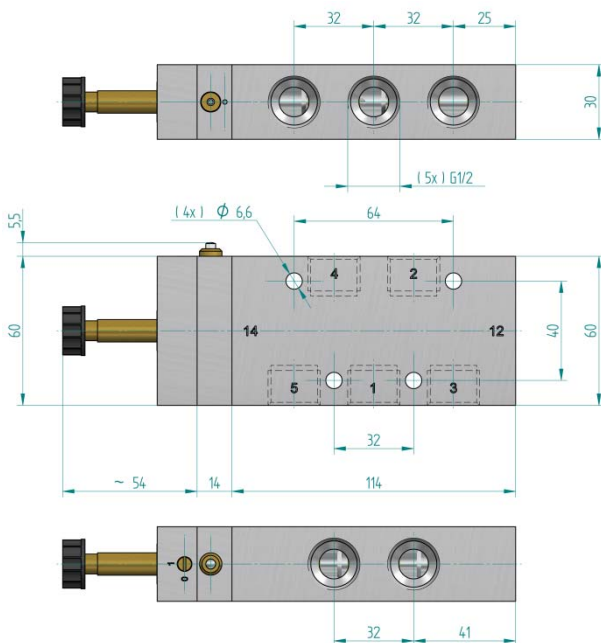


Valves with latch-lock function



MHL 510 701 ALU



MHL 510 121

Valves with latch-lock function for monitored reactivation through maintenance staff.

When the solenoid valve is losing power (de-energized) due to shutdown or other reasons, it will move to its default position.

On regular solenoid valves, it can be switched back to the operating position by energizing the solenoid, while on solenoid valves with latch-lock function it will not be so.

After being energized, the valve must be manually reset by pushing the reset-knob.

The philosophy is based on whether the operator is required to be present on site or not. He/she should check the surrounding condition and make sure everything on site is normal before resetting the valve.

The latch-lock system is available for our G 1/8", G 1/4" as well as G 1/2" valves. Actuation by solenoid or pilot actuated.

Stainless steel and ATEX-approved versions available on request.

Type	Port size	Air flow	Operating press.	Power consumption	Weight
MHL 510 701 ALU	G 1/4"	1250 l/min	2 - 10 bar	3 W = / 5 VA ~	0,30 kg
MHL 510 121	G 1/2"	3000 l/min	1 - 10 bar	3 W = / 5 VA ~	0,72 kg